



INDUSTRIELLE HARD- UND SOFTWARE ENTWICKLUNG

- Supports VGA Input and Output
- Supports PS2 Keyboard/Mouse Input and Output
- Resolutions up to 1280x1024@75Hz
- Desktop Device, 19" Rack-mountable



## 2PORT VGA/KEYBOARD/MOUSE SPLITTER

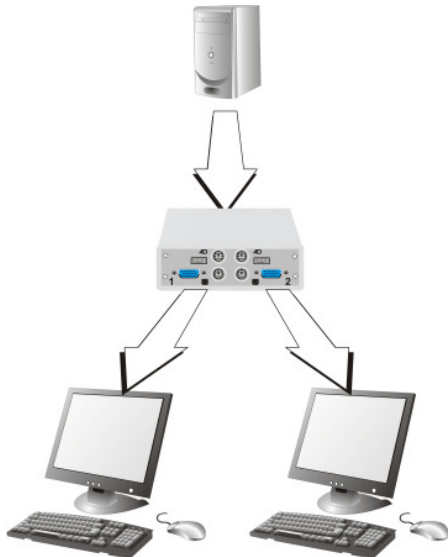
# 2port VGA/Keyboard/Mouse Splitter

Input Interface	VGA, PS2-Keyboard, PS2-Mouse
Output Interface	2x VGA, 2x PS2-Keyboard, 2x PS2-Mouse
Resolution	1280x1024@75Hz, lower resolution at least 85Hz
Power Supply	Universal Switchmode PSU (90-240V Input)
Size	120 x 120 x 35 mm-desktop device (19" mounting brackets available)
Upgradable	No upgradable firmware onboard

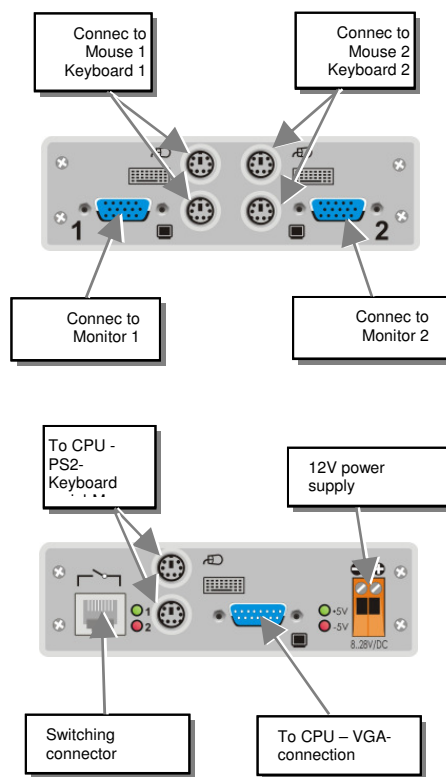
## 2port VGA/Keyboard/Mouse Splitter

Our VGA-/Keyboard-/Mouse Splitter allows you to operate a computer (CPU) from two different places. In combination with KVM Extender cables (up to 10 m) or KVM Extender (up to 10 Km) the Input/Output devices can be remotely located far away.

Wherever you need two (or more) consoles for your computer, e.g. in machines with two operation places, in server environments or at places where two employees share one computer, the 2port VGA/Keyboard/Mouse-Splitter is a solution for such problems.



Installation Example



The device is switchable by pressing any key on the connected keyboard. This first used key is already transferred to the computer. If switching is desired without using keys, please use the <SHIFT> or one of the <STRG>, <ALT> or <ALT GR> keys without pressing another key simultaneously. If switching is desired by using a key-switch, the device must be converted to dry contact switching.

## Highlights

- Top Image Quality at all Resolutions
- Resolutions up to 1280x1024@75Hz or lower resolutions up to 85Hz
- Output: Supports VGA Video (RGBHV) PS2-Keyboard and PS2 Mouse
- Input: Supports VGA Video (RGBHV) PS2-Keyboard and PS2 Mouse
- Switching between two operation places alternatively by using the connected keyboard or by using an external key-switch.

Using the potentiometer P1 the time can be adjusted locking the other keyboard after pressing a key. Any times between approx. 0.5 and approx. 40 seconds are possible.

- Monitor adjustments:
  - Both monitors are enabled permanently
  - The monitor is enabled whose keyboard was enabled at last
  - The monitor is enabled whose keyboard is enabled at the moment
  - The monitor is enabled which is selected by the switching contact.
- Rackmount options available